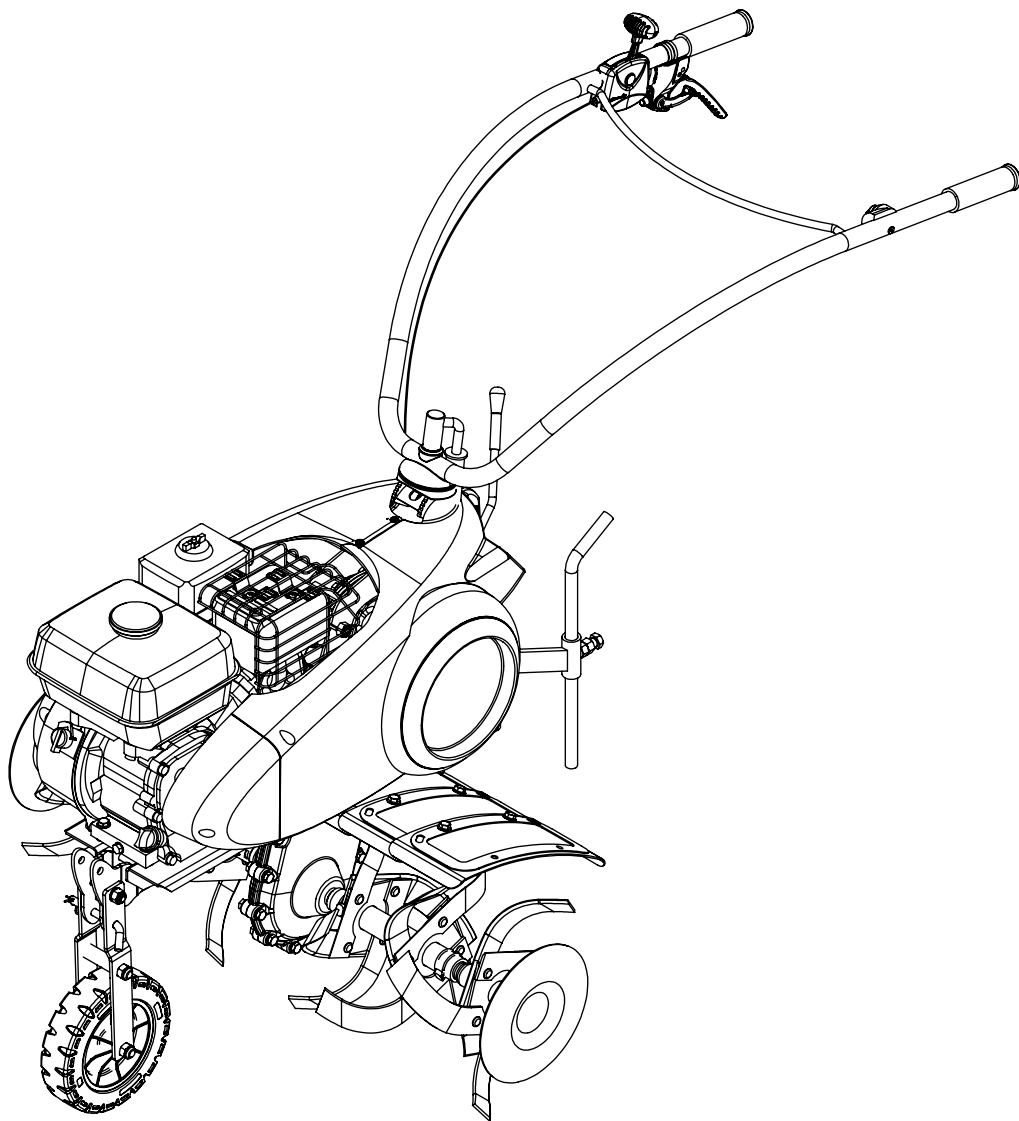
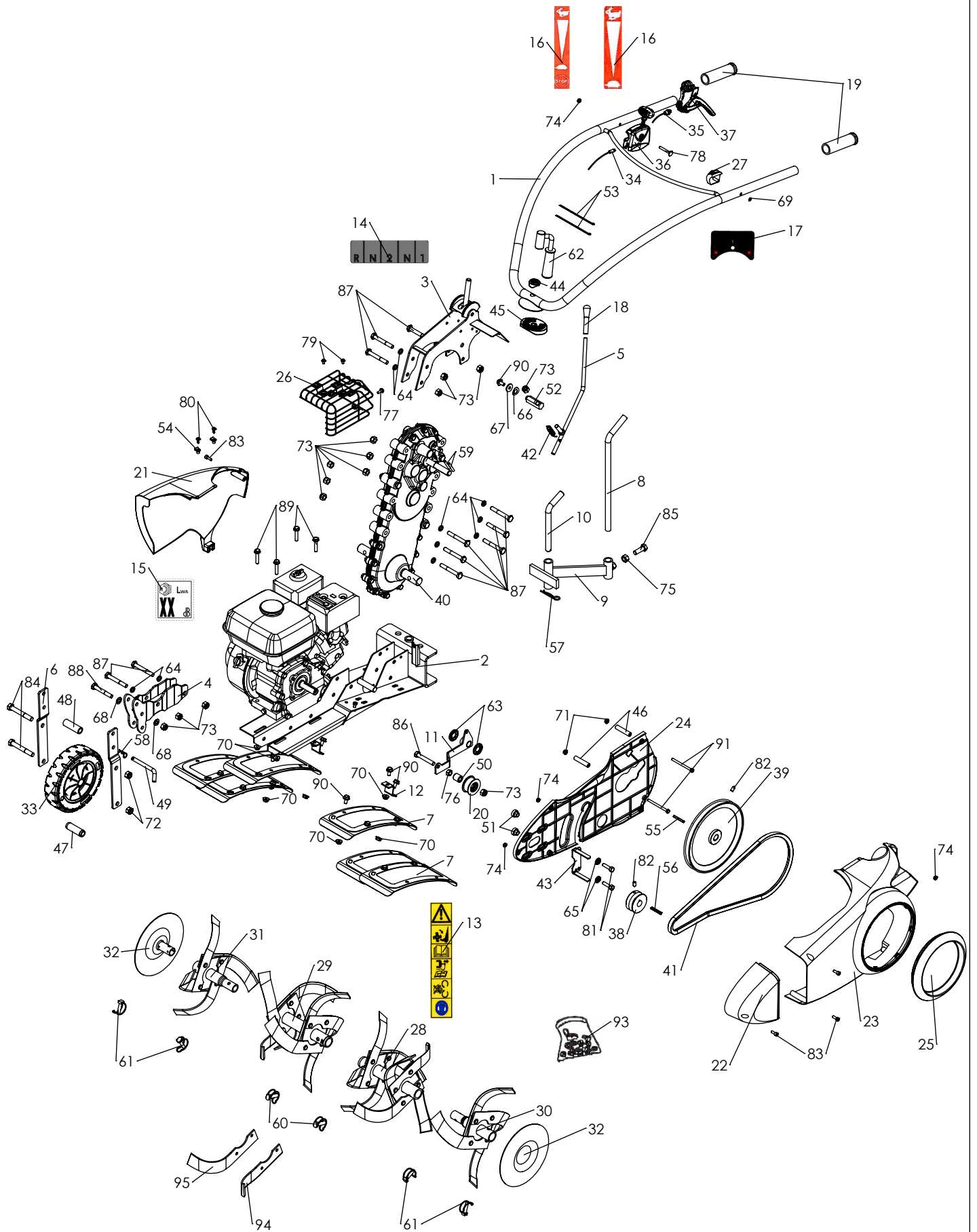


Pièces de rechange Spare parts list

350007****

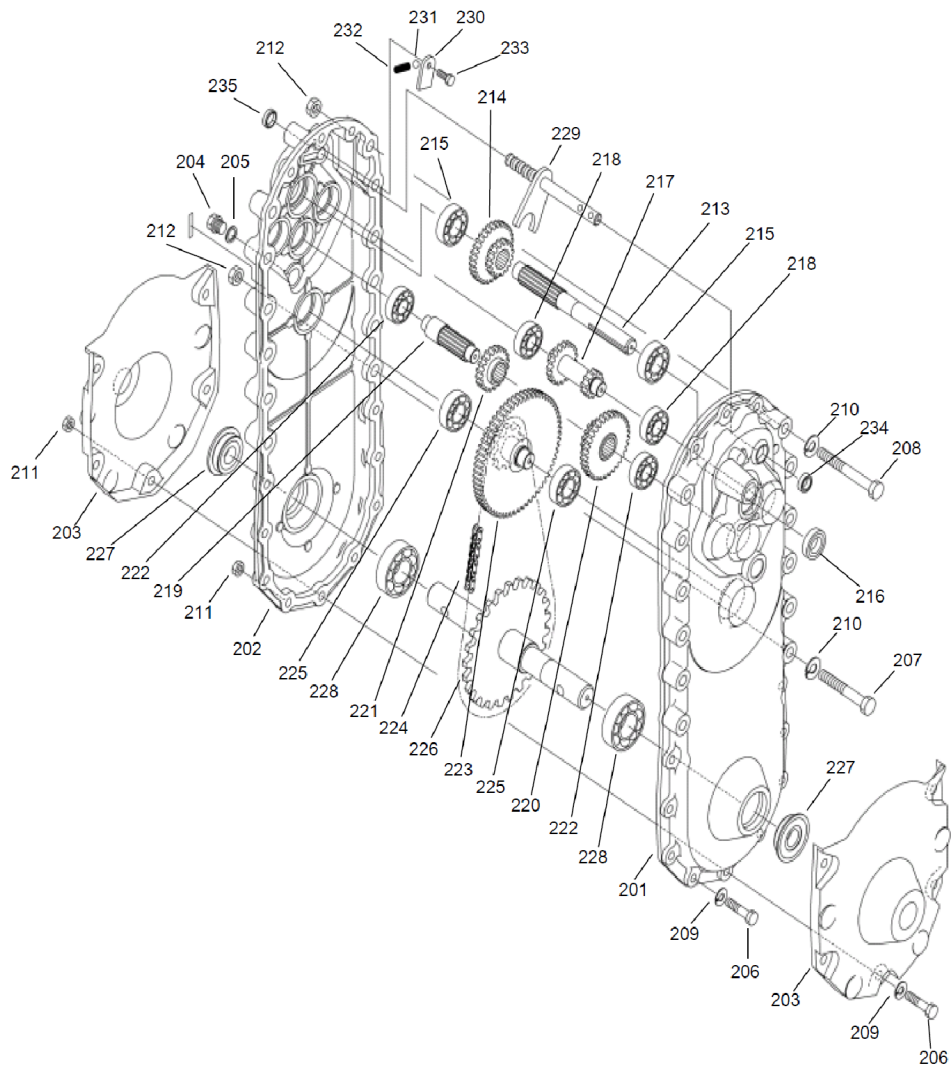


*MOTOBINEUSE TRANSFORMABLE
CONVERTIBLE ROTARY CULTIVATOR*



Rep N°	Ref.	Désignation	Description	Moteur Engine	Qte
1	3502040603	GUIDON QJV3 GRIS (627)	HANDLEBAR QJV3 GREY (627)		1
1	3502040703	GUIDON QJV3 GRIS (8201)	HANDLEBAR QJV3 GREY (8201)		1
1	3502040303	GUIDON QJV3 NOIR RAL9005	HANDLEBAR QJV3 BLACK RAL9005		1
1	3502040503	GUIDON QJV3 GRIS (8120)	HANDELBAR QJV3 GREY (8120)		1
2	3502040505	CHASSIS QJV3 SNAPIN SOUDE GRIS (8120)	QJV3 FRAME GREY (8120)		1
2	3502040605	CHASSIS QJV3 SNAPIN SOUDE GRIS (627)	QJV3 FRAME GREY (627)		1
3	3502040302	POTENCE QJV3 NOIR RAL9005	BRACKET QJV3 BLACK RAL9005		1
3	3502040502	POTENCE QJV3 GRIS (8120)	BRACKET QJV3 GREY (8120)		1
3	3503040002	POTENCE QJV3 GRIS (627)	BRACKET QJV3 GRIS (627)		1
4	3502040301	SUPPORT ROUE + CP NOIR	WHEEL + COUNTERWEIGHT SUPPORT BLACK		1
5	3502040203	LEVIER DE VITESSE QJV3 ZING	GEARSHIFT LEVER QJV3		1
6	3502020323	TOLE SUPP ROUE x QSxNOIRx	QUATRO SENIOR SUPPORT WHEEL BLACK RAL9005		2
7	3502011301	AILE PROTECTION ROUGE RAL 3002	TINE GUARD QJ RED RAL3002		6
7	3502010601	AILE PROTECTION GRIS (627)	Grey (627) tine guard		6
7	3502010501	AILE PROTECTION GRIS (8120)	Grey (8120) tine cover		6
8	3502010320	BEQUILLE Ø16 NOIR RAL9005	SPUR BLACK RAL9005		1
9	3502010319	CORPS BEQUILLE Ø16 NOIR RAL9005	ADJUSTABLE SPUR ARM BLACK RAL9005		1
10	3502010205	BROCHE FIXATION BEQUILLE Ø16 xZINGUEEx	SPUR PIN Ø16		1
11	3502010107	LEVIER EMBRAYAGE QJ	PLATE FOR CLUTCH LEVER QJ		1
12	3502010105	CHAPE SUPPORT AILE QUATRO Zinguée	BRACKET FOR TINE GUARD QJ		2
13	0503000094	ETIQ. "SECURITE 6 LOGOS" CE	STICKER SECURITY		1
14	0503000083	ETIQ GRILLE VITESSE QJV2	SPEED LABEL QJV2		1
15	0503000080	ETIQ. "NIVEAU DE BRUIT" 100 dB	STICKER NOISE LEVEL '100 dB'		1
16	0503000045	ETIQ. POIGNEE GAZ (AVEC STOP)	STICKER THROTTLE CONTROL STOP-MIN-MAX	EP	1
16	0503000043	ETIQ. GAZ (SS STOP)VERS PNEUM DIM 42X11	Label throttle control without stop	GX	1
17	0503000031	ETIQ. MARCHE-ARRET SWITCH DIM 20 X 15	STICKER SWITCH ON-OFF GX		1
18	0341000080	POIGNEE LEVIER VITESSE	GEAR SHIFT LEVER HANDLE		1
19	0341000037	POIGNEE PLASTIQUE DIAM 25 CB	HAND SIDE GRIP		2
20	0341000003	GALET 2 EPAULEMENTS ROUL 6200 ZZ	CLUTCH RUNNER ROUL 6200 ZZ		1
21	0340020052	CAPOT DROIT QJV3 ROUGE RAL3001	RIGHT COVER QJV3 RED RAL3001		1
21	0340020049	CAPOT DROIT QJV3 BLEU RAL5010	RIGHT COVER QJV3 BLUE RAL5010		1
21	0340020043	CAPOT DROIT QJV3 VERT RAL6029	RIGHT COVER QJV3 GREEN RAL6029		1
21	0340020040	CAPOT DROIT QJV3 NOIR RAL9005	RIGHT COVER QJV3 BLACK RAL9005		1
22	0340020051	TRAPPE AVANT QJV3 ROUGE RAL3001	FRONT COVER QJV3 RED RAL3001		1
22	0340020048	TRAPPE AVANT QJV3 BLEU RAL5010	FRONT COVER QJV3 BLUE RAL5010		1
22	0340020045	TRAPPE AVANT QJV3 ORANGE RAL2009	FRONT COVER QJV3 ORANGE RAL2009		1
22	0340020042	TRAPPE AVANT QJV3 VERT RAL6029	FRONT COVER QJV3 GREEN RAL6029		1
22	0340020038	TRAPPE AVANT QJV3 NOIR RAL9005	FRONT COVER QJV3 BLACK RAL9005		1
23	0340020047	CAPOT COURROIE QJV3 BLEU RAL5010	BELT COVER QJV3 BLUE RAL5010		1
23	0340020050	CAPOT COURROIE QJV3 ROUGE RAL3001	BELT COVER QJV3 RED RAL3001		1
23	0340020044	CAPOT COURROIE QJV3 ORANGE RAL2009	BELT COVER QJV3 ORANGE RAL2009		1
23	0340020041	CAPOT COURROIE QJV3 VERT RAL6029	BELT COVER QJV3 GREEN RAL6029		1
23	0340020037	CAPOT COURROIE QJV3 NOIR RAL9005	BELT COVER QJV3 BLACK RAL9005		1
23	0340020040	CAPOT DROIT QJV3 ORANGE RAL2009	RIGHT COVER QJV3 ORANGE RAL2009		1
24	0340020039	CACHE INTERIEUR QJV3 NOIR RAL9005	INTERIOR HIDE QJV3 BLACK RAL9005		1
25	0340010168	DISQUE HABILLAGE CREUX M0701 ROUGE RAL3001	M0701 DRESS UP HOLLOW DISK RED RAL3001		1
25	0340010158	DISQUE HABILLAGE CREUX M0701 VERT RAL 6029	M0701 DRESS UP HOLLOW DISK GREEN RAL 6029		1
25	0340010130	DISQUE HABILLAGE CREUX M0701 BLEU RAL 5010	M0701 DRESS UP HOLLOW DISK BLUE RAL 5010		1
25	0340010113	DISQUE HABILLAGE CREUX M0701 TRANSPARENT	M0701 DRESS UP HOLLOW DISK TRANSPARENCY		1
25	0340010112	DISQUE HABILLAGE CREUX M0701 GRIS (627)	M0701 DRESS UP HOLLOW DISK GREY (627)		1
25	0340010106	DISQUE HABILLAGE CREUX M0701 NOIR RAL 9005	M0701 DRESS UP HOLLOW DISK BLACK RAL 9005		1
26	0330032001	GRILLE ECHAPPEMENT EP	EXHAUST GRILL EP	EP	1
26	0330012003	GRILLE ECHAP GX120/GX160	EXHAUST GRILL GX120/GX160	GX	1
27	0330012006	SWITCH STOP GX	Switch engine cut-off		1
28	0320010020	FRAISE DEPART MONO GAUCHE D25 HEL 40X4	LEFT TWIN TINES D25 HELICOID BLADE (40X4)		1
29	0320010019	FRAISE DEPART MONO DROITE D25 HEL 40X4	RIGHT TWIN TINES D25 HELICOID BLADE (40X4)		1
30	0320010008	FRAISE ADDIT HEL 40X4 GAUCHE	LEFT ADDITIONAL TINE D25 HELICOID BLADE (40X4)		1
31	0320010007	FRAISE ADDIT HEL 40X4 DROIT	RIGHT ADDITIONAL TINE D25 HELICOID BLADE (40X4)		1
32	0320010001	DISQUE D25 NOIR RAL9005	DISK D25 BLACK RAL9005		2
33	0309000033	ROUE RT DIAM200 ALS 20	RT wheel Ø200 bore 20		1
34	0308040052	CABLE GAZ x1250 xLF60 Z0° MANETTE LGC	Throttle cable Lg 1250mm stroke 60mm		1
35	0308020069	CABLE EMB Lg 1200 CF 222 LAKS EMB CLIP	CLUTCH CABLE LG1200 CF222 LAKS LEVER x CLIP TIP		1
36	0307020023	MANETTE GAZ LGC POMMEAU NOIR RAL9005	THROTTLE LEVER LGC BLACK KNOB RAL9005		1
37	0307010034	LEVIER EMB LAKS C27 GUID D25 TEMPO EMBRAYAGE	HANDLEVER LAKS C27 D25 CLUTCHING SYMBOL		1
38	0306060007	POULIE MOTEUR D60 ALES 19,06	ENGINE PULLEY D60 BORE 19,06		1
39	0306060001	POULIE CARTER 220 QUATRO MDLE	TRANSMISSION PULLEY		1
40	0306040016	PONT TRANS 2AV + 1 ARR QUATRO JUNIOR BV2R	GEAR BOX 2 FRONT SPEED+1 REVERSE SPEED		1
41	0306030001	COURROIE	BELT		1
42	0305010013	RESSORT TR 22x60 18/10 GALVA	LOCKING SPRING		1
43	0304000284	GUIDE COURROIE POULIE D60	DRIVE BELT PULLEY D60		1
44	0303000024	ENTRETOISE POIGNEE SERRAGE H16	Tightening lever spacer height 16		1
45	0303000023	NOIX CRANTEE M0701 LIAISON GUIDON	M0701 FILLER PIECE		1
46	0302020191	ENTR. 6X12X55 xZNCR3x	SPACER 6X12X55 Z		2
47	0302020081	ENTR. 20X12,5x61,5 xPOM	PLASTIC SPACER 20x12,5x61,5		1
48	0302020070	ENTRETOISE 20x13x61 xZNCR3x	Spacer 20 x 13 x 61		1
49	0302020052	BROCHE ROUE TRANSPORT Ø10	PIN TRANSPORT WHEEL Ø10		1
50	0302020044	ENTR. 20x10,5x21 xCOUPELLE E51	SPACER 20x10,5x21		1
51	0302020012	ENTR. EPAULEE D13 d9 Lg15,5	SPACER 13x9x15,5		2

Rep N°	Ref.	Désignation	Description	Moteur Engine	Qte
52	0302010098	AXE LEVIER DE VITESSE x QJV2 x	PIN FOR GEARSHIFT LEVER		1
53	0301060003	COLLIER POLYAM.3.6 X 140 NOIR	COLLAR		2
54	0301050003	CLIP EASYBOSS 40X25X7	EASYBOSS CLIP 40X25X7		2
55	0301040004	CLAVETTE 5 X 5 X 40 BTS DROIT TOL h 9 - XC 48	KEY 5X5X40 TOL h 9 - XC 48		1
56	0301040001	CLAVETTE 4.76X4.76X 40 BTS DRO TOL h 9 - XC 48	KEY 4.76X4.76X40 DRO TOL h 9 - XC 48		1
57	0301030002	GOUPILLE BETA3	BETA PIN BETA 3 Z		1
58	0301030001	GOUPILLE BETA 2 Z x 50	CLIP PIN BETA 2 Z		1
59	0301020014	GOUPILLE HBK 6x40 ISO 8748ST	COTTER-PIN 6X40 HBK		2
60	0301010014	GOUPILLE CLIPS 10 x 36	CLIP PIN D10 x 36		2
61	0301010013	GOUPILLE CLIPS 8 x 36	CLIP PIN D8 x 36		4
62	0300801401	POIGNEE SERRAGE M14x150 EMBOUT NOIR	HANDLEBAR TIGHTENING LEVER		1
63	0300461601	RONDELLE STARLOCK DIA 16	STARLOCK WASHER D16		2
64	0300451001	RONDELLE GROWER 10 Z	Spring washer Ø10		11
65	0300430801	RONDELLE CONTACT M8 NF E 25511	CONTACT WASHER 8		2
66	0300421201	ROND. ELAST ONDUFLEX D12 Z 2 ONDES DIN 137.B	ONDUFLEX SPRING WASHER D12		1
67	0300410802	RONDELLE 8 X 24 X 3	WASHER 8X24X3		1
68	0300401003	RONDELLE PLATE M 10X20X2 Z NFE 27611	Washer M 10x20x2z		2
69	0300400301	RONDELLE PLATE 3.2x10x1 Z	Washer M 3.2x10x1 Z	GX	1
70	0300260801	ECROU HM 8 ZEMB CR DIN 6923-8	NUT H M8 Z NOTCHED SHOULDER		18
71	0300260601	ECROU HM 6 ZEMB CR DIN 6923	NUT H M6 Z NOTCHED SHOULDER		2
72	0300211201	ECROU FREIN M 12 Z DIN 985/8	BLOCKING NUT M 12 Z		2
73	0300211001	ECROU FREIN M 10 Z DIN 985/8	BLOCKING NUT M 10 Z		14
74	0300210602	ECROU FREIN M 6 Z DIN 985-8	BLOCKING NUT M 6 Z		7
75	0300201202	ECROU H.U. M 12 Z DIN 934-8	NUT HM 12Z		1
76	0300201002	ECROU H.U. M 10 Z DIN 934	NUT HM 10Z		1
77	0300090602	VIS AUTOTAR TH A EMB 6 X 16 Z	Screw HM6x16 z Self-tapping	GX	1
77	0300080404	VIS TOLE TCB 4.8X9.5 DIN 7981	SHEET SCREW TCB 4.8 X 9.5	EP	1
78	0300080610	VIS TRCC 6 X 45/20 Z Din603	SCREW TRCC 6 X 45 Z		1
79	0300080501	VIS METAUX TCB POZI 5X10 Z DIN 7985	POZIDRIVE SCREW M5x10Z	GX	2
79	0300010620	VIS HM6 X 10 Z EMB LISSE CL6.8 NOIR x TETON CYL NFE25019	SCREW HM6 X 10 Z CL6.8 SMTH SHOULD PILOT PNT NFE25019	EP	2
80	0300080405	VIS TOLE TETE POELIER D11 POZI Cr 4.2X16 Z	SCREW POZI 4.2X16Z		2
81	0300060502	VIS 5/16 TH 24 UNF LONG 32 Z	SCREW 5/16 TH 24 UNF LG 32		2
82	0300040801	VIS STHC 8 X 16 N BT POINTU DIN 914 45H	SCREW ST HC M8X16 DIN 914 45H		2
83	0300020601	VIS CHC 6 X 16 Z DIN912 ISO4762	Screw CHC M6x16z		5
84	0300011213	VIS H 12X85 Z DIN 933/6.8	Screw HM12x85z		2
85	0300011208	VIS H 12 X 35 Z DIN933/6.8	SCREW H M12X35 Z		1
86	0300011036	VIS HM10X65 Z DIN933	SCREW H M10x65 Z DIN933		1
87	0300011028	VIS H 10X75/26 Z DIN 931/8.8	Screw H M10x75 z		11
88	0300011011	VIS H 10X70/26 Z DIN 931/6.8	Screw H M10x70 z		1
89	0300010817	VIS H 8x40 Z EMB CR DIN 6921	SCREW H M8 X 40		4
90	0300010815	VIS H 8x16 Z EMB CR DIN 6921 CL 6.8	SCREW H M8X16 Z NOTCHED SHOULDER CL 6.8		15
91	0300010624	VIS H M6x80 Z	SCREW H M6x80 Z		2
92	0300010610	VIS H 6x20 Z EMB CR DIN 6921	Screw HM 6x20 notched shoulder		1
93	0300000001	POCH. VISS TOLES HVA	BAG OF SCREWS (QUATRO)		1
94	0001000030	COUTEAU HEL 40X4 GAUCHE	Left spiral blade		1
95	0001000029	COUTEAU HEL 40X4 DROIT	Right spiral blade		1



201	0002011001	Carter G	Case mission L	1
202	0002011002	Carter D	Case mission R	1
203	0002011003	Renfort carter	Cover	2
204	0002011004	Bouchon d'huile M20x14	Plug M20x14	1
205	0002011005	Rondelle d'étanchéité M20	Seal washer	1
206	0300010844	Vis M8x35	Screw M8x35	12
207	0300011011	Vis M10x70	Screw M10x70	3
208	0300011028	Vis M10x75	Screw M10x75	9
209	0003000061	Rondelle grower M8	Spring washer M8	12
210	0300451001	Rondelle grower M10	Spring washer M10	12
211	0300200802	Ecrou M8	Nut M8	12
212	0300451001	Ecrou M10	Nut M10	12
213	0002011006	Arbre 1	Shaft 1	1
214	0002011007	Engrenage double (16 et 30 dents)	Gear 16-30	1
215	0002010226	Roulement 6203	Ball bearing 6203	2
216	0002011016	Joint d'étanchéité TC173007	Oil seal TC173007	1
217	0002011008	Arbre 2	Shaft 2	1
218	0002010076	Roulement 6202	Ball bearing 6202	2
219	0002011009	Arbre 3	Shaft 3	1
220	0002011010	Engrenage double (16 et 34 dents)	Gear 16-34	1
221	0002011011	Engrenage 20 dents	Gear 20	1
222	0002010076	Roulement 6202	Ball bearing 6202	2
223	0002011012	Arbre 4	Shaft 4	1
224	0306020018	Chaine EK520	Chain EK520	1
225	0002010226	Roulement 6203	Ball bearing 6203	2
226	0002011013	Arbre de sortie	Final shaft	1
227	0002010086	Joint d'étanchéité TCFY254011	Oil seal TCFY254011	2
228	0001100124	Roulement 6205	Ball bearing 6205	2
229	0002011014	Arbre intermédiaire	Shift shaft	1
230	0002011015	Platine	Plate	1
231	0002010196	Bille (1/4in)	Ball (1/4in)	1
232	0002010237	Ressort	Spring	1
233	0300090602	Vis M6x16	Screw M6x16	1
234	0002011017	Joint d'étanchéité	Oil seal	1
235	0002011018	Bouchon d'étanchéité	Seal cap	1