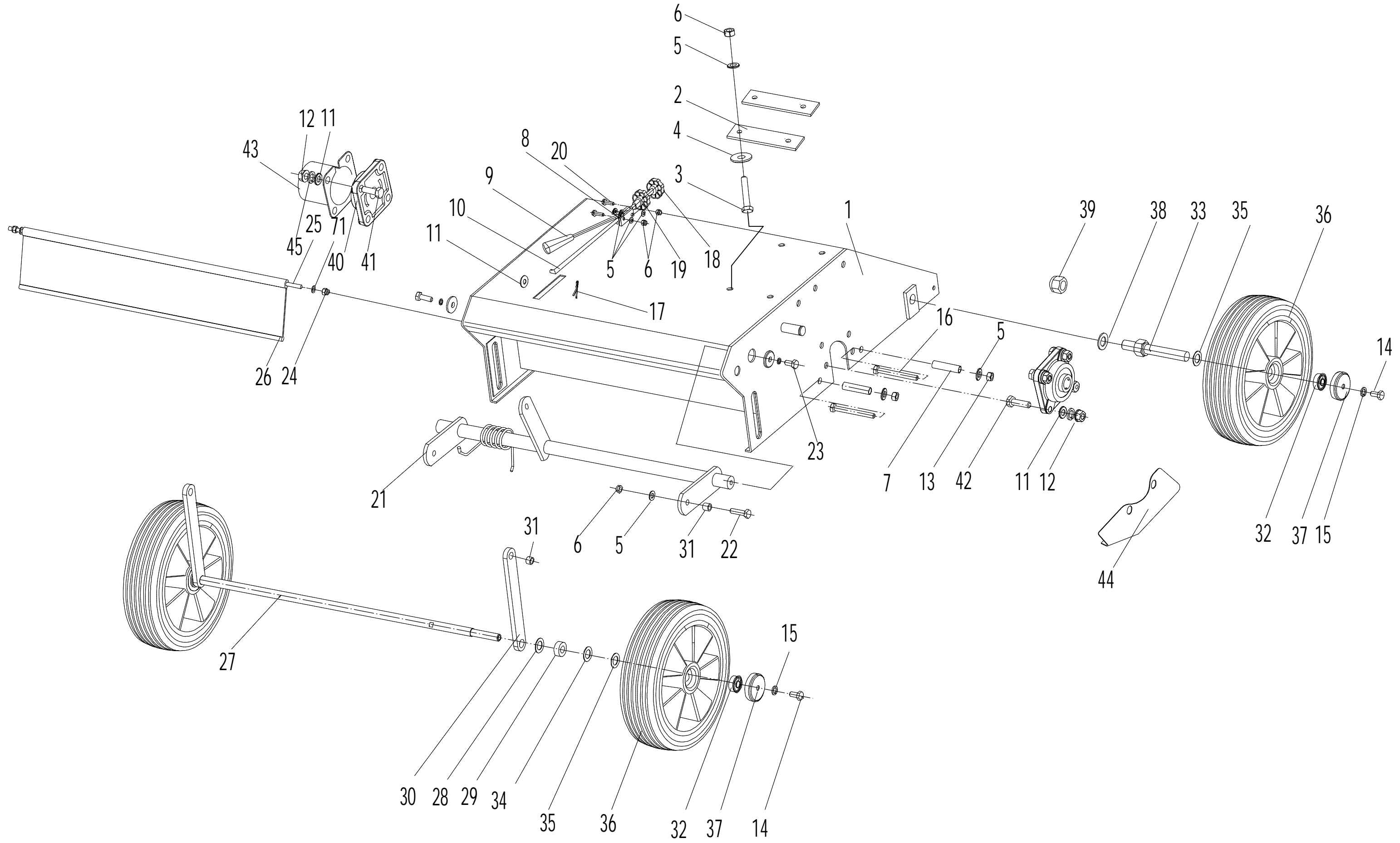
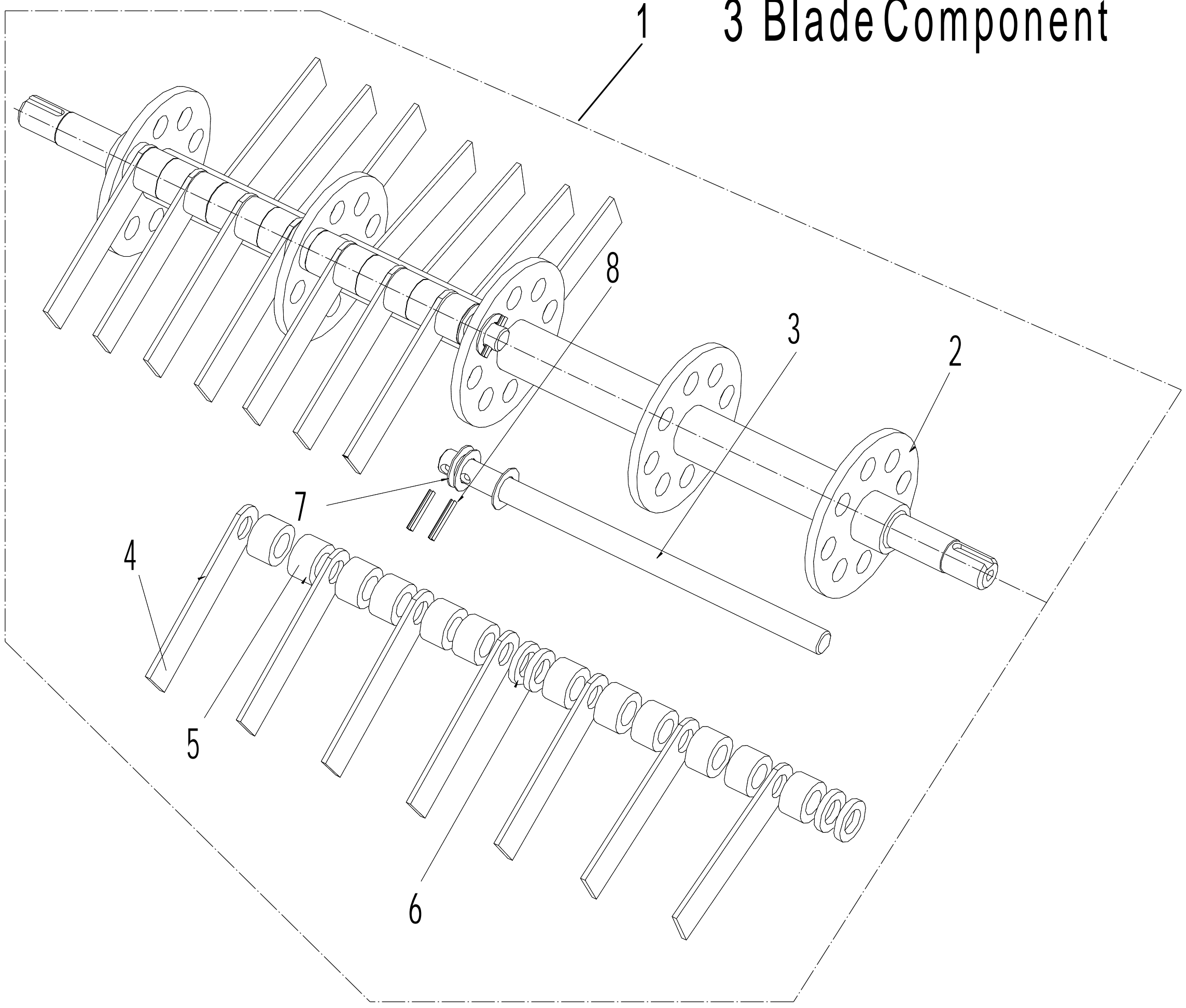


# 2 Deck Assembly



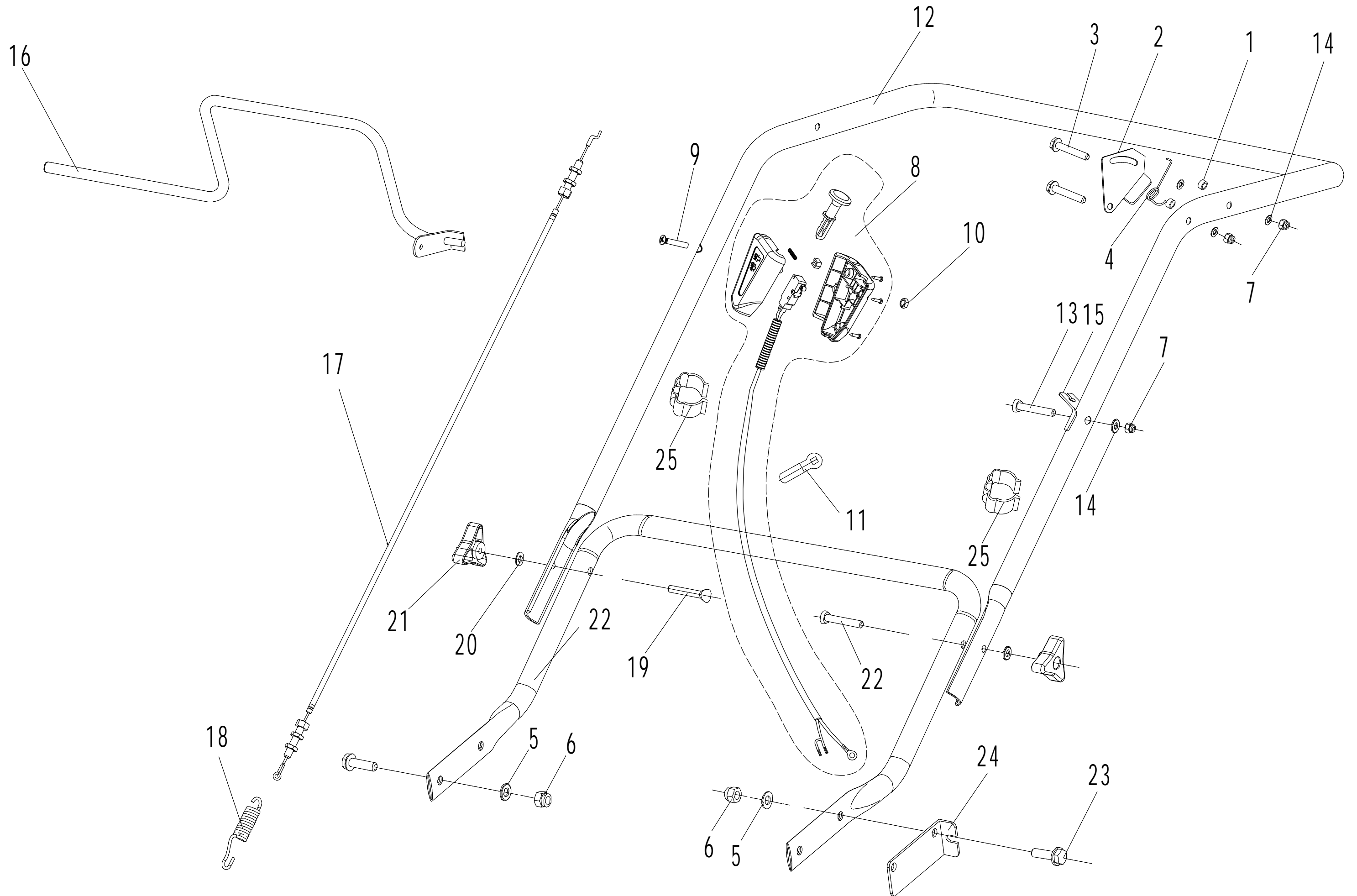
<b>Part 2 - Main Body Spare Parts</b>		
<b>No.</b>	<b>ID Zboží</b>	<b>Název</b>
1	48R0101030/49	Chassis
2	48R0300035/49	Engine Washer
3	0101008040	Bolt
4	0303008000	Big Washer
5	0301008000	Spacer
6	0202008000	Lock Nut
7	48R0107021/02	Bush
8	48R0117014/49	Adjustment Lever
9	46R0137010	Adjustment Lever Grip
10	48R0117015	Adjustment Lever Hook
11	0301010000	Flat Washer
12	0202001000	Lock Nut
13	0201008000	Nut
14	0101008015	Bolt
15	0401008000	Spring Washer
16	0101008080	Bolt
17	5320333010	Check Ring
18	46R0138010	Plastic Grip
19	48R0138010	Plastic Grip
20	0102008035	Hex Flange Bolt
21	48R0131010/49	Lever Axle Weldment
22	0102008025	Flange Bolt
23	0102008025	Flange Bolt
24	0202006000	Lock Nut
25	48R0129010/02	Rear Cover Axle
26	48R0130010	Rear Cover
27	48R0201020/02	Front Axle
28	48R0201030	Spacer
29	48R0201040	Spacer1
30	48R0204020/49	Connecting Rod
31	48R0205010/02	Connecting Rod Inner Partition
32	5310213010	Bearing
33	48R0208030/02	Rear Axle
34	5310210010/02	Axle Washer
35	5310211010/02	Spacer
36	48R0210011	Wheel 8"
37	48R0210012	Wheel Cap
38	0301016000	Flat Washer
39	0202016000	Lock Nut
40	UCF204	Bearing With Holder
41	0101010030	Bolt
42	0101010025	Bolt
43	48R0312010	Axle Head Sleeve
44	48R0105020/49	Chassis Protection Plate
45	0401010000	Spring Washer

# 3 Blade Component



<b>Part 3 - Blade Component Spare parts</b>		
<b>No.</b>	<b>ID Zboží</b>	<b>Název</b>
1		
2	48R0301020S/22	Rotor Assembly
3	48R0304010/04	Blade Pivot
4	46R0306010/04	Blade
5	48R0306010	Blade Bush II
6	48R0307010	Blade Bush I
7	48R0308010	Nylon Spacer
8	0701004025	Spring Pin

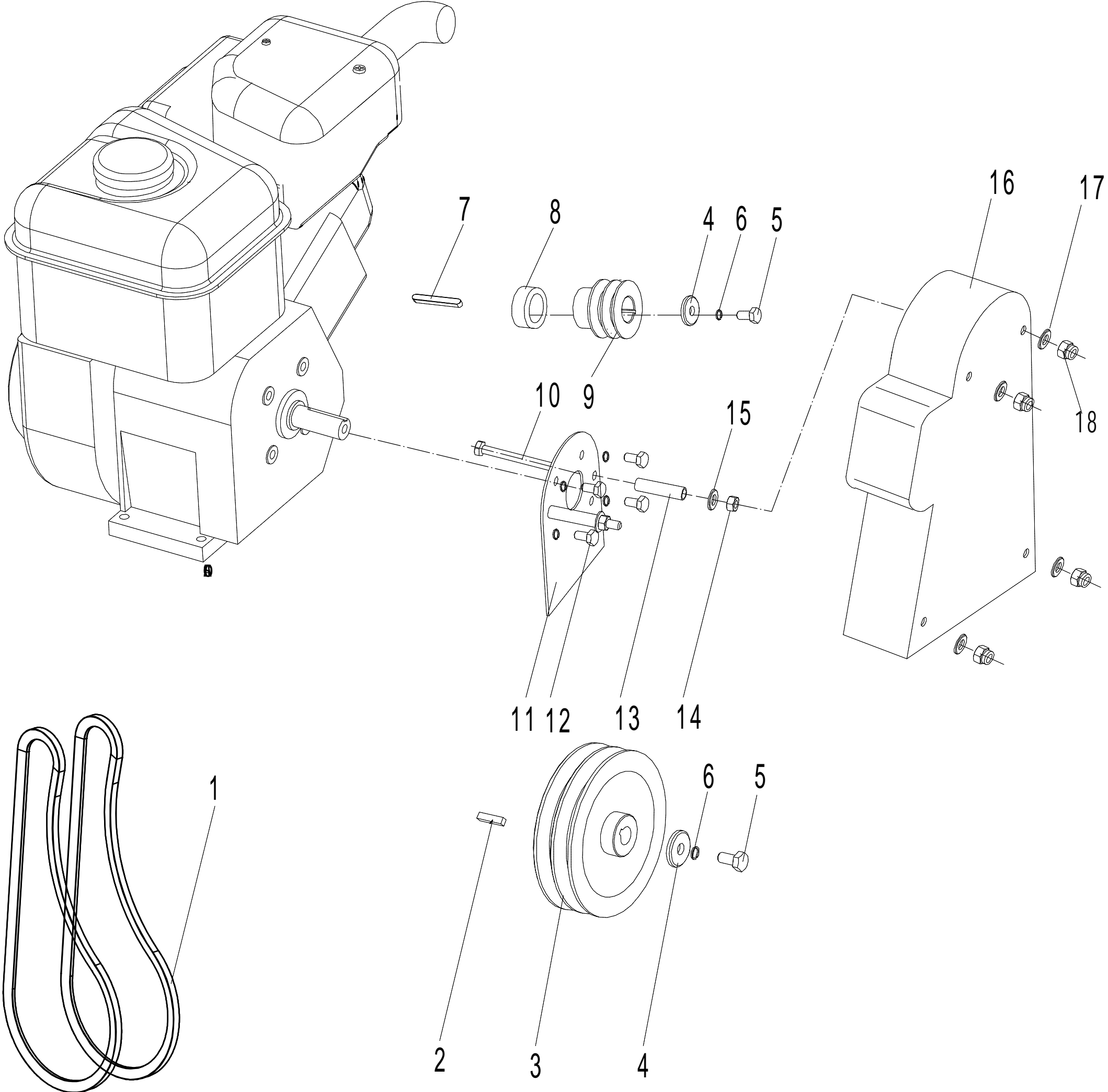
# 4 Handle and controls



**Part 4 - Handle And Controls Spare Parts**

No.	ID Zboží	Název
1	40R0501013/02	Upper Handle Limit Plate Partition
2	40R0501012/22	Upper Handle Limit Plate
3	0102006035	Hex Flange Bolt
4	40R0501014	Torsional Spring
5	0301010000	Flat Washer
6	0202001000	Lock nut
7	0202006000	Lock nut
8	YJQD/40B	Switch
9	0113004012	Screw Bolt
10	WB/KG04	Lower Chassis
11	WB/KG01	Rubber Ring
12	WB/KG03	Upper Chassis
13	WB/KG02	Rubber ring
14	40E0109000	Cable Pressing Bracket
15	48R0401030/22	Upper Handle
16	0104006045	Cross Head Screw
17	0301006000	Spacer
18	48R0404020/02	Cluth Cable Bracket
19	48R0405030/22	Clutch handle assembly
20	48R0409030	Clutch Cable
21	48R0410010	Tensional Spring
22	5310510010	Screw - 8x45
23	4510510010	Washer
24	4820541010	Handle Wheel
25	48R0416010/22	Lower Handle
26	0102010020	Flange Bolt
27	48R0414010/02	Cable Bracket
28	40R0502020/02	Switch Bracket
29	5320517010	Clip

5 Pulley

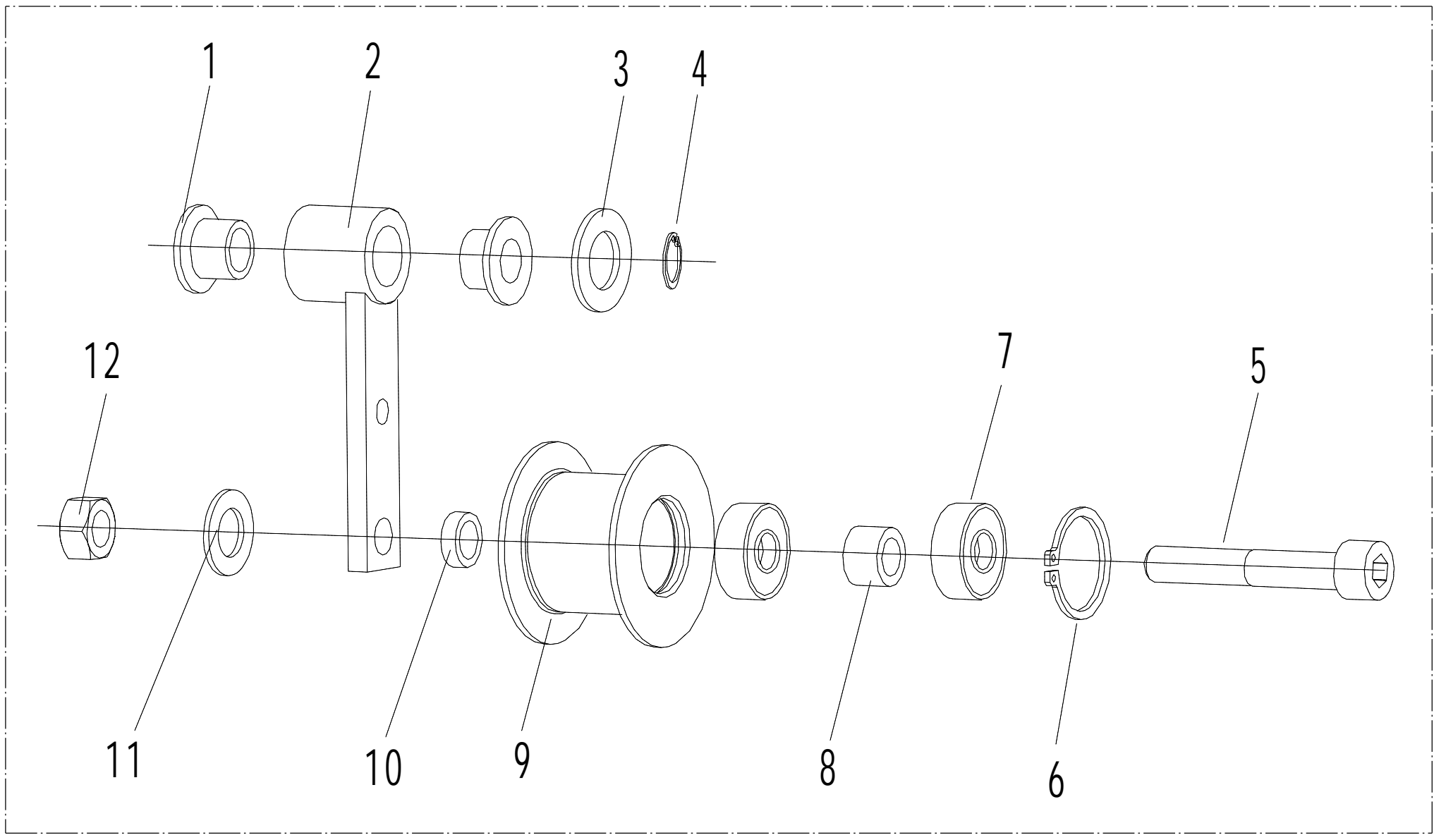
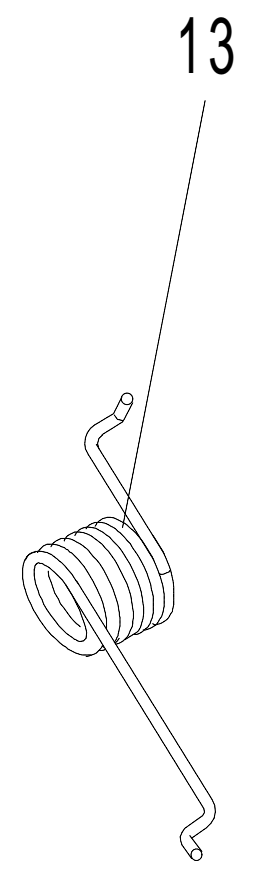




**Part 5 - Handle And Controls Spare Parts**

No.	ID Zboží	Název
1	4LXA782	Belt
2	1101006020	Key
3	40R0134010/04	Big Pulley
4	0303008000	Big Washer
5	0101008015	Bolt
6	0401008000	Spring Washer
7	1101005030	Key
8	40R0119111/02	Engine Pulley Bush
9	40R0133010/04	Engine Pulley
10	0101008080	Bolt
11	48R0116010S/49	Engine Plate
12	5340113020	Hex Bolt
13	48R0107021/02	Bush Washer
14	0201008000	Nut
15	0301008000	Flat Washer
16	48R0136000S/49	Belt Shield
17	0301008000	Spacer
18	0207008000	Cap Nut

# 6 WB486CRB Tension Part



**Part 6 - Tension Part Spare Parts**

No.	ID Zboží	Název
1	48R0113010	Nylon Bush
2	48R0111010/02	Rotating Plate
3	0301012000	Spacer
4	1001012000	Check Ring
5	0103010050	Inner Hex Screw
6	0901026000	Check Ring For Hole
7	6000ZZ	Ball bearing
8	51A0126010/02	Bush I
9	51A0125010/02	Tension Pulley
10	48R0115010/02	Partition
11	0301010000	Spacer
12	0202001000	Lock Nut
13	40R0107023	Tensional Pulley Spring